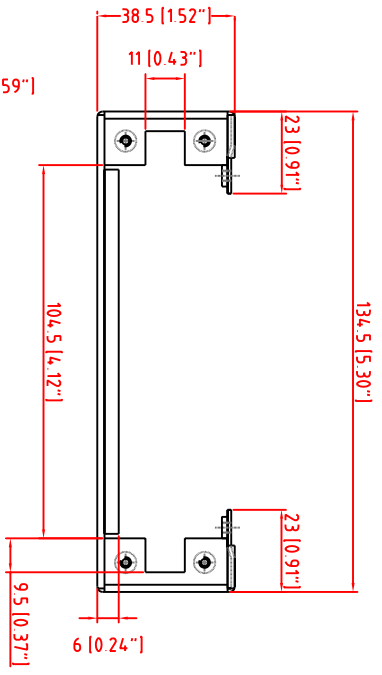
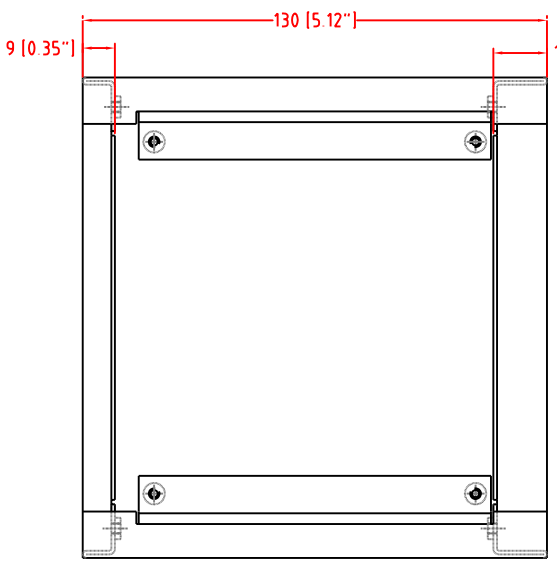


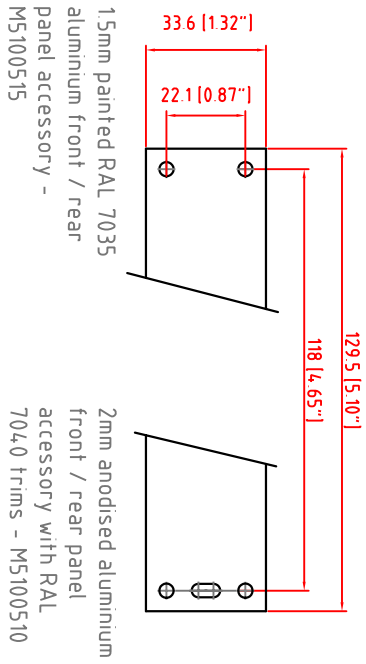
FIRST ANGLE PROJECTION



Cover made from 1mm aluminium.

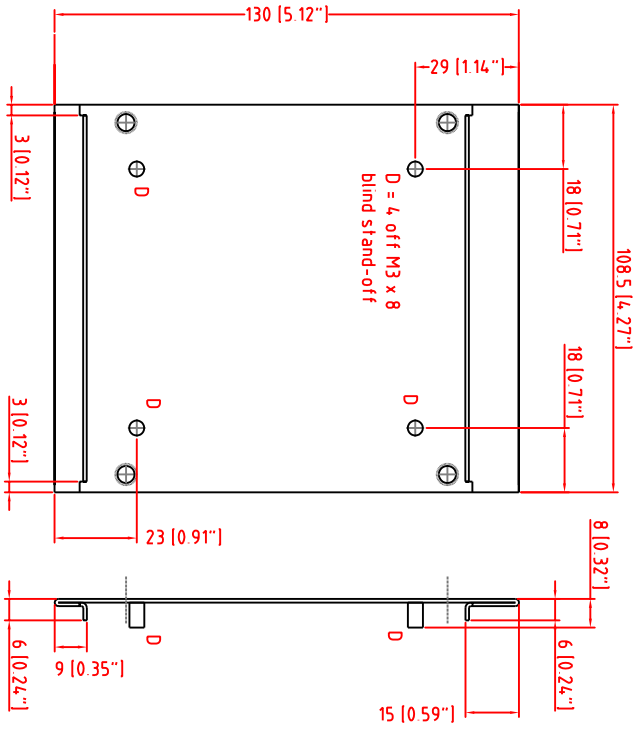


Inside front / rear panel faces dimension = 108 [4.25"]



1.5mm painted RAL 7035 aluminium front / rear panel accessory - M5100515

2mm anodised aluminium front / rear panel accessory with RAL 7040 trims - M5100510



Base made from 1mm aluminium.

Front & rear panels are not included with the standard case. Choose the required type as an accessory - see above.

Tolerances unless otherwise stated:
General tolerances ±0.20
Resultant tolerances between hole centers ±0.15
Tolerances on hole diameters ±0.05
Angles ± 0.5°
Surface finish 32/

Required Finish
Powder paint
RAL 7035

Scale: 1:1
Drawn by: Ian Cox
Checked By:
Drawing Number:

Part Name
Minimet 1

Date drawn: December '05
Material Spec:

DO NOT SCALE

www.metcase.com
METCASE ENCLOSURES
Unit 3, Mitchell Close
Segensworth East, Fareham,
Hampshire, PO15 5SE, UK.
Part Number: M5113115
Sheet 1 of 1

ORW ENCLOSURES LTD DATE AS SHOWN THIS DRAWING CONTAINS PROPRIETARY INFORMATION OF ORW ENCLOSURES LTD AND IS TENDERED SUBJECT TO THE FOLLOWING CONDITIONS: THE INFORMATION BE RETAINED IN CONFIDENCE, NOT BE REPRODUCED OR COPIED, AND NOT BE USED OR INCORPORATED IN ANY PRODUCT, UNLESS PERMISSION IS OBTAINED IN WRITING FROM ORW ENCLOSURES LTD

A2

J I H G F E D C B A

1 2 3 4 5 6 7 8 9 10

Modifications
ISS 1