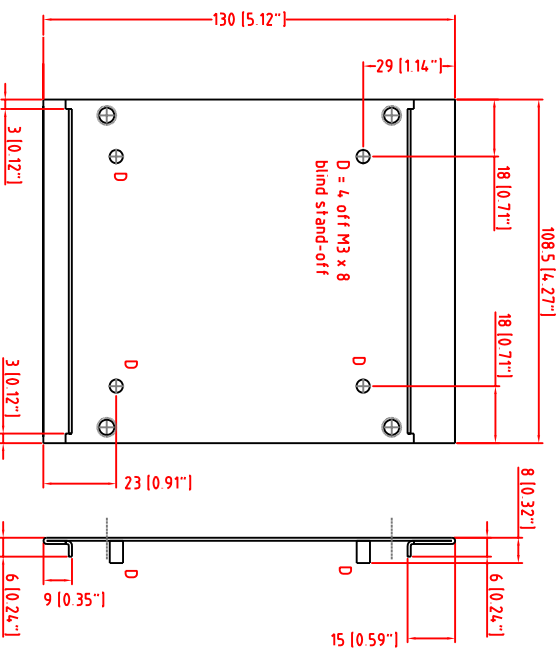
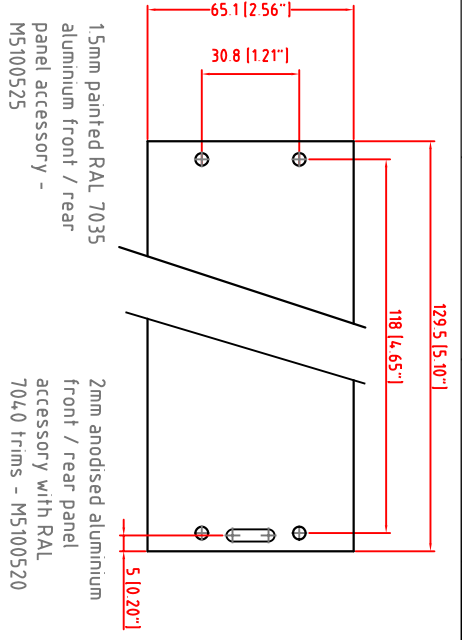
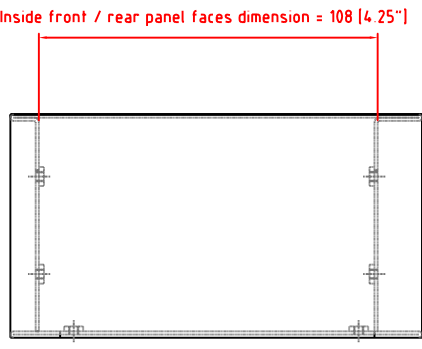
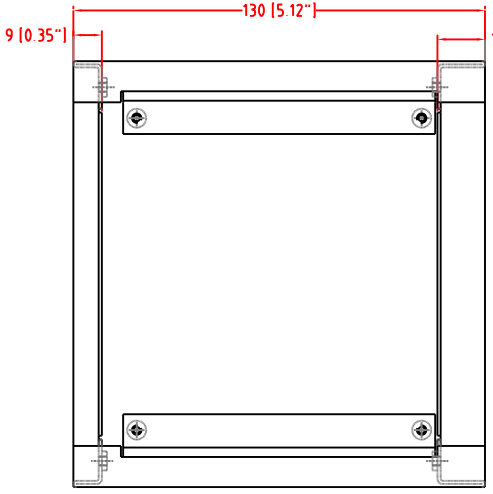
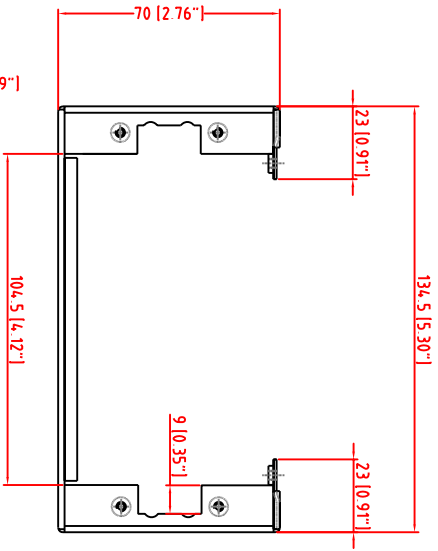


FIRST ANGLE PROJECTION

Cover made from 1mm aluminium.



Front & rear panels are not included with the standard case. Choose the required type as an accessory - see above.

Tolerances unless otherwise stated:
General tolerances ±0.20
Resultant tolerances between hole centers ±0.15
Tolerances on hole diameters ±0.05
Angles ± 0.5°
Surface finish 32/

Required Finish	Scale	ALL DIMENSIONS IN MILLIMETRES (Inches in brackets)		DO NOT SCALE
Powder paint RAL 7035	1:1	Drawn by	Checked by	Material Spec.
		Ian Cox		
www.metcase.com		METCASE ENCLOSURES		Part Name
		Unit 3, Mitchell Close		Mimmet 2
		Segensworth East, Fareham,		Part Number
		Hampshire, PO15 5SE, UK		M5113125
		DRAWING CONTAINS PROPRIETARY INFORMATION OF ONV ENCLOSURES LTD AND IS TENDERED SUBJECT TO THE FOLLOWING CONDITIONS: THE INFORMATION IS RETAINED IN CONFIDENCE, NOT BE REPRODUCED OR COPIED, AND NOT BE USED OR INCORPORATED IN ANY PRODUCT, UNLESS PERMISSION IS OBTAINED IN WRITING FROM ONV ENCLOSURES LTD		Sheet 1 of 1
		December '05		A2

Modifications	Iss
	1